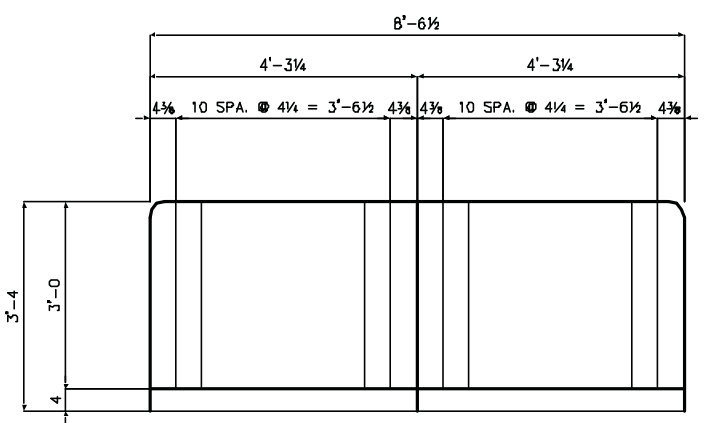
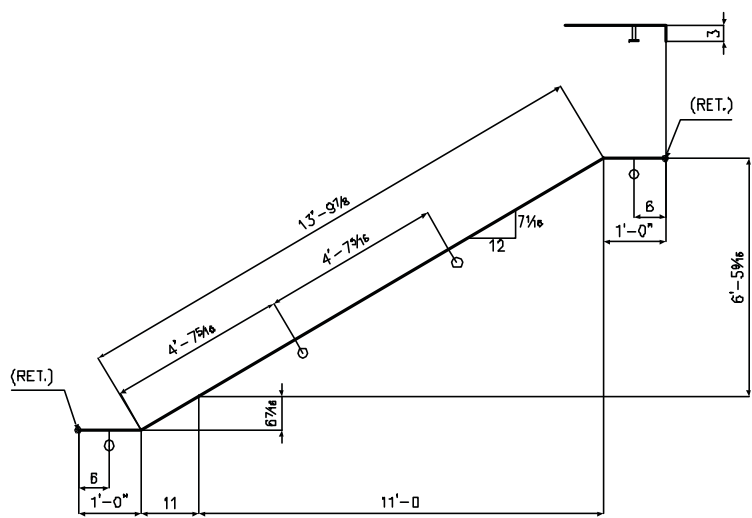


1 - RAIL - 1R1

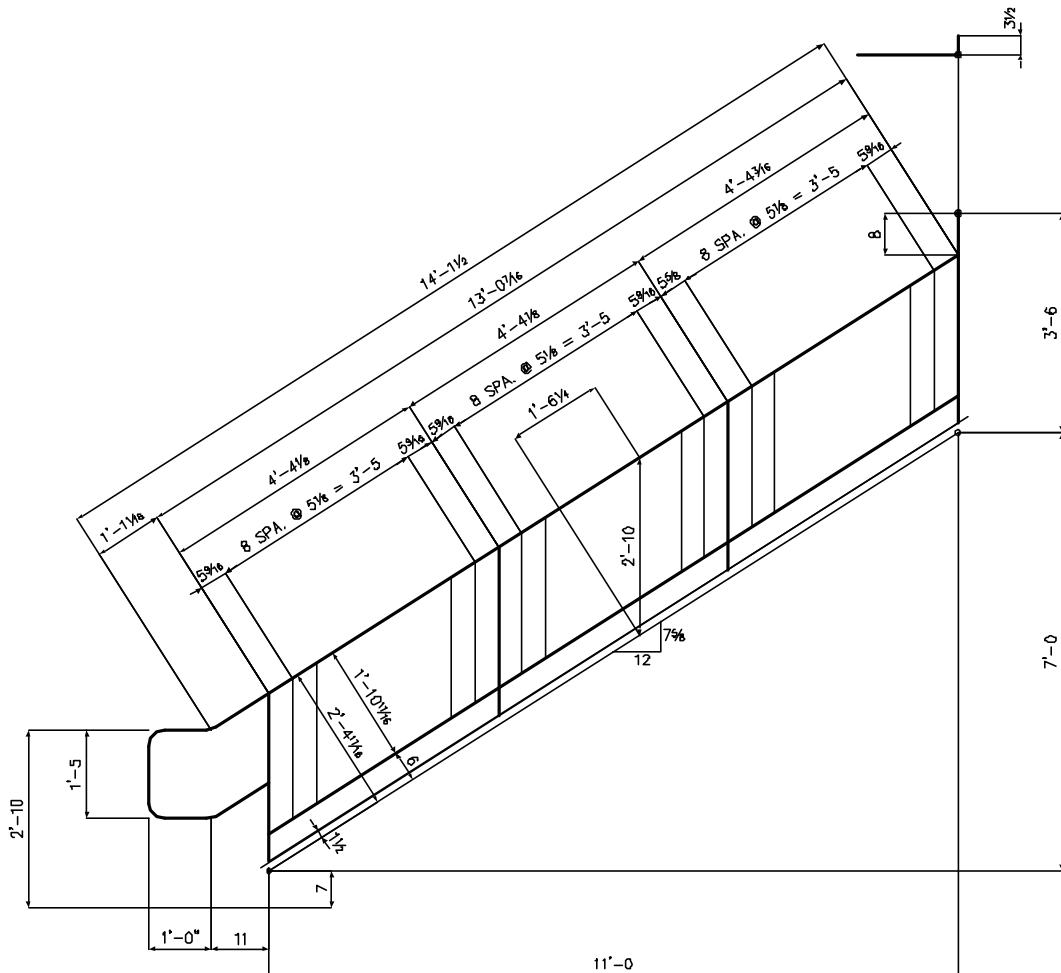


1 - RAIL - 1R3



1 - WALLRAIL - 1WR1

4-3/8-LAG-3



1 - RAIL - 1R2

BILL OF MATERIAL

SHIPPING BILL		SHOP BILL						
NO. PER	ERECTION MARK	NO.	SHAPE	LENGTH FT.	IN.	ASSY. MARK	REMARKS	WEIGHT
1	1R1	1	1 1/4" STD PIPE	68	0±		L/FT	
		1	BAR - 4X1/4	4	1-3/16	ba1		
1	1WR1	1	1 1/4" STD PIPE	16	0±		L/FT	
		4	STD WALL BRACKET					
1	1R2	1	1 1/4" STD PIPE	44	0±		L/FT	
		1	BAR - 1/2X1/2 PICKET	61	0±		L/FT	
		1	BAR [1X1/2X1/8]	27	0±		L/FT	
1	1R3	1	1 1/4" STD PIPE	28	0±		L/FT	
		1	BAR - 1/2X1/2 PICKET	61	0±		L/FT	
		1	BAR [1X1/2X1/8]	18	0±		L/FT	

REFERENCE DRWG. / LOCATION	E1	FIELD	
MATERIAL (UNLESS NOTED)	A ~ 36	SHOP	
SURFACE PREPARATION	S P 3	APPROVAL	
SHOP PAINT	1 S/C RED OXIDE	PRINTS	
SHOP CONNECTIONS/ELECTRODES	WELD / E70XX	NO.	
FIELD CONNECTIONS	3/4" A325	DATE	
HOLES (U.N.)	1 3/16" Ø	NO.	
DETAILER YOUR NAME		DATE	
CHECKER P.M. NAME		DATE	
IN CHARGE OF		JOB NO.	
		YOUR #	F1