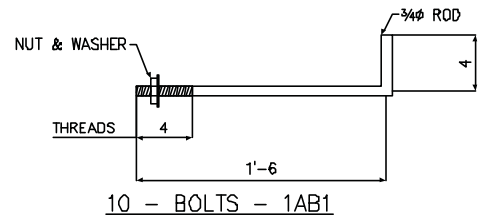
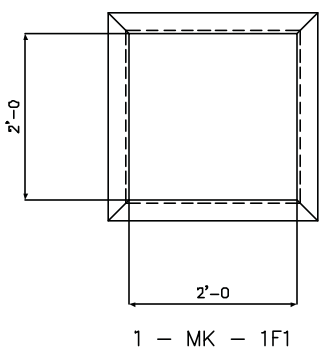
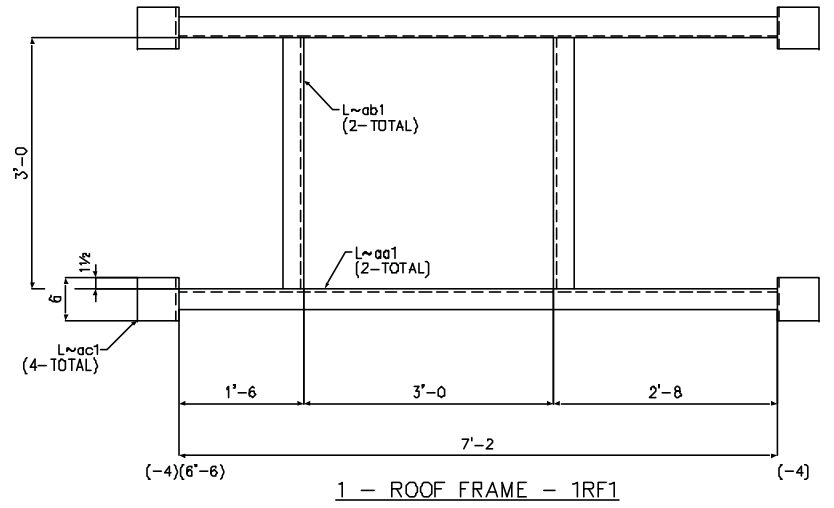


1 - LADDER - 1L1



10 - BOLTS - 1AB1



BILL OF MATERIAL

SHIPPING BILL		SHOP BILL						
NO. PER	ERECTION MARK	NO.	SHAPE	LENGTH		ASSY. MARK	REMARKS	WEIGHT
				FT.	IN.			
1	1A1	1	L3X3X1/4	20	0			
		14	3/8" STUD	0	3	ma1		
1	1RF1	1	ROOF FRAME					
		2	L3X3X1/4	7	2	aa1		
		2	L3X3X1/4	3	0	ab1		
		4	L6X6X1/4	0	6	ac1		
1	1A2	1	L3X3X1/4	20	0			
1	1L1	2	BAR-2 1/2 X 3/8	10	6	ba1		
		6	BAR-2 1/2 X 3/8	0	10 1/4	bb1	(BEND L8X3)	
		11	3/4" BAR	1	6 1/2	ra1		
1	1WR1	1	1 1/4" STD PIPE	16	0 ±		L/FT	
		4	STD WALL BRACKET					
10	1AB1	10	3/4" ANCHOR BOLT	1	10		W/ 4 HOOK	

REFERENCE DRWG. / LOCATION	E1				FIELD				
MATERIAL (UNLESS NOTED)	A ~ 36				SHOP				
SURFACE PREPARATION	S P 3				APPROVAL				
SHOP PAINT	1 S/C RED OXIDE				PRINTS				
SHOP CONNECTIONS/ELECTRODES	WELD / E70xx				NO.				
FIELD CONNECTIONS	3/4" # A325				NO. DATE				
Holes (U.N.)	1 3/16" Ø				NO. DATE				
JOB NO.					YOUR #				
DETAILER YOUR NAME DATE					DRWG. NO. F1				
CHECKER P.M. NAME DATE					IN CHARGE OF				