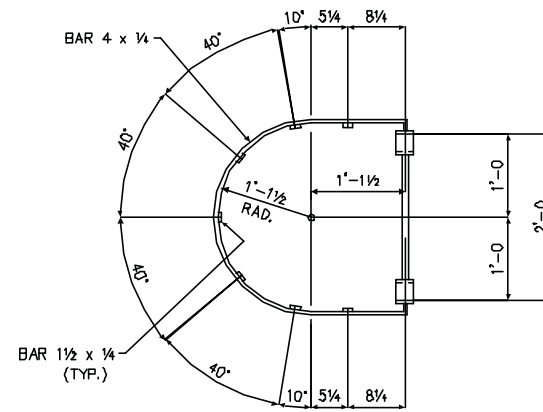
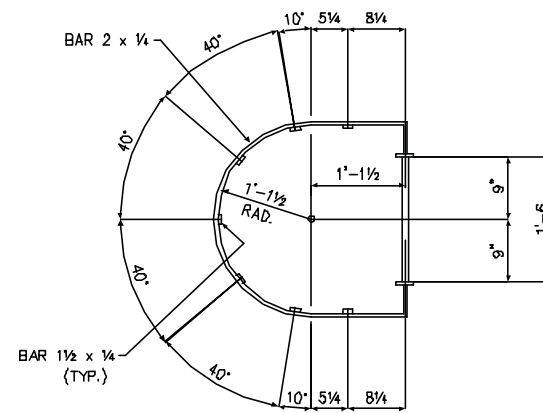


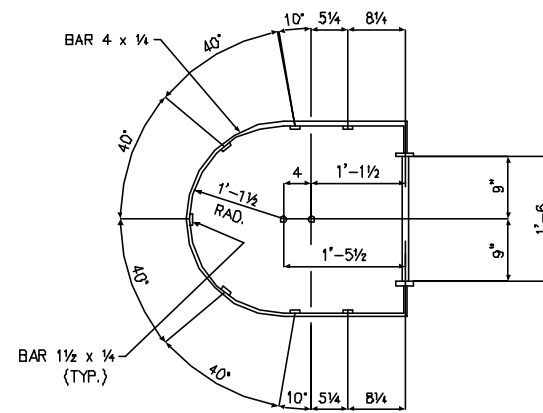
1 - LADDER - 1L1



DETAIL @ TOP HOOP

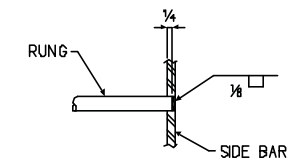


DETAIL @ MID HOOP



DETAIL @ BOTT HOOP

SHIPPING BILL		SHOP BILL						
NO. PER	ERECTION MARK	NO.	SHAPE	LENGTH FT. IN.	ASSY. MARK	REMARKS	WEIGHT	
1	1L1	2	BAR-2 1/2 X 3/8	23 7/4	ba1			
		6	BAR-2 1/2 X 3/8	0 10 1/4	bb1	(BEND L8X3)		
		2	BAR-2 1/2 X 3/8	1 4 3/4	bc1			
		20	3/4 # BAR	1 6 1/2	ra1			
		2	L3X3X3/8	0 2 1/2	aa1			
			BAR-4X1/4 TOP & BOTTOM HOOP					
			BAR-2X1/4 MID HOOPS					
			BAR-1 1/2 X 1/4 VERTICALS					



TYPICAL RUNG DETAIL

REFERENCE DRWG. / LOCATION	E1		FIELD				
MATERIAL (UNLESS NOTED)	A ~ 36	REV. DATE	DESCRIPTION	APPROVAL	PRINTS	NO. DATE	NO. DATE
SURFACE PREPARATION	S P 3						
SHOP PAINT	1 S/C RED OXIDE						
SHOP CONNECTIONS/ELECTRODES	WELD / E70xx						
FIELD CONNECTIONS	3/4 # A325	HOLES (U.N.)	1 3/16" Ø	DETAILER	YOUR NAME	DATE	JOB NO.
				CHECKER	P.M. NAME	DATE	YOUR #
							DRWG. NO. F1