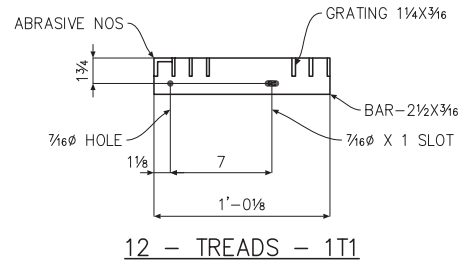
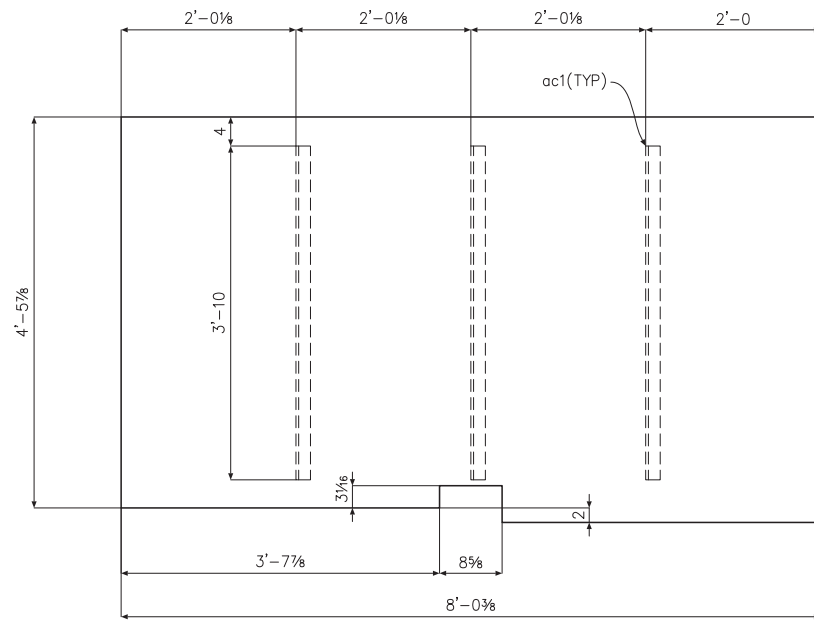


1-STRINGER-1S1

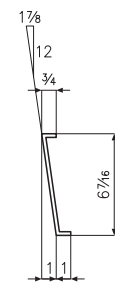
- 1-3/4-EXP-4
- 24-3/8-A307-1 1/4



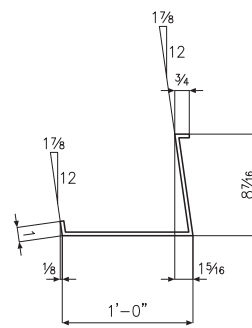
12 - TREADS - 1T1



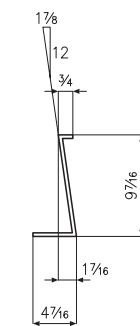
1 - MK - 1LP1



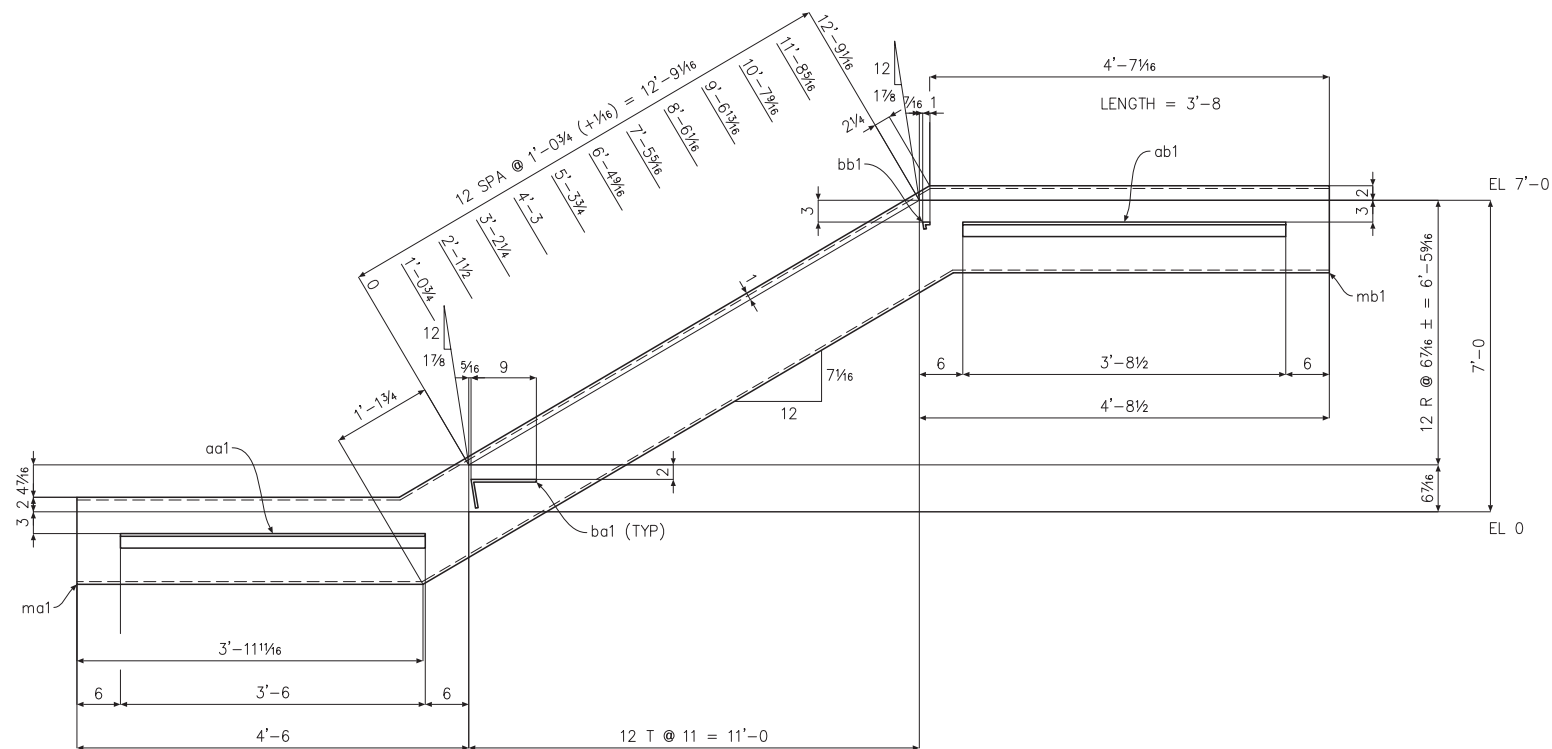
1 - TREAD - 1T2
LENGTH = 3'-8



12 - TREADS - 1T3
LENGTH = 3'-8



1 - TREAD - 1T4
LENGTH = 3'-8



1-STRINGER-1S2

BILL OF MATERIAL

SHIPPING BILL		SHOP BILL						
NO. Pcs.	ERECTION MARK	NO.	SHAPE	LENGTH FT.	IN.	ASSY. MARK	REMARKS	WEIGHT
1	1S1	1	C12X20.7	13	2 1/2			
		1	L3X3X3/16	0	3	S14		
		1	L3X3X3/16	0	5 1/2	S24		
1	1S2	1	MC12X10.6	14	1 1/16			
		1	MC12X10.6	3	11 1/16	ma1		
		1	L2X2X1/4	3	6	aa1		
		1	MC12X10.6	4	7 1/16	mb1		
		1	L2X2X1/4	3	8 1/2	ab1		
		12	FB3/16X1 1/4	1	1	ba1		
		1	FB3/16X1 1/4	0	2	bb1		
1	1LP1	1	12GAX4'-7 7/8	8	0 3/8			
		3	L2X2X1/4	3	10	ac1		
12	1T1	12	GRATING 1 1/4X3/16	3	8			
1	1T2	1	12 GA. PL	3	8			
12	1T3	12	12 GA. PL	3	8			
1	1T4	1	12 GA. PL	3	8			

REFERENCE DRWG. / LOCATION ME1	REV.	DATE	DESCRIPTION	FIELD	SHOP	APPROVAL	PRINTS	NO.	DATE	NO.	DATE	
MATERIAL (UNLESS NOTED) A ~ 36	YOUR STEEL COMPANY YOUR CITY, STATE											
SURFACE PREPARATION S P 3												
SHOP PAINT 1 S/C STD GRAY	JOB YOUR JOB NAME											
SHOP CONNECTIONS/ELECTRODES WELD / E70xx	LOCATION SOMEWHERE, USA											
FIELD CONNECTIONS 3/4" A325	CUSTOMER YOUR CUSTOMER											
HOLES (U.N.) 1 3/16" phi	DRWG. COVERS DETAILS											
	DETAILER YOU				JOB NO.				DRWG. NO.			
	CHECKER				CUSTOMER #				MF1			
	IN CHARGE OF PROJECT MANAGER				YOUR #							